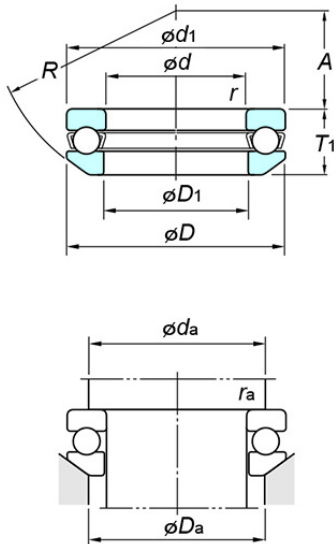


Thrust ball bearings - Single direction - With spherical back face



Bearing No. 53203

Specifications

(Boundary dimensions ...etc)

d(mm)	17
D(mm)	35
T(mm)	13.2
r(min.)(mm)	0.6
Basic load ratings Ca(kN)	21.5
Basic load ratings C0a(kN)	27.3
Fatigue load limit : Cu(kN)	1.25
Limiting speeds(Grease lub.)(min-1)	4900
Limiting speeds(Oil lub.)(min-1)	7500
d1(max.)(mm)	35
D1(min.)(mm)	19
D2(mm)	-
D3(mm)	-
A(mm)	16
R(mm)	32
C(mm)	-

Mounting dimensions

da(min.)(mm)	28
Da(max.)(mm)	24
ra(max.)(mm)	0.6

Refer.

(Refer.)Mass(kg)	0.055
------------------	-------